

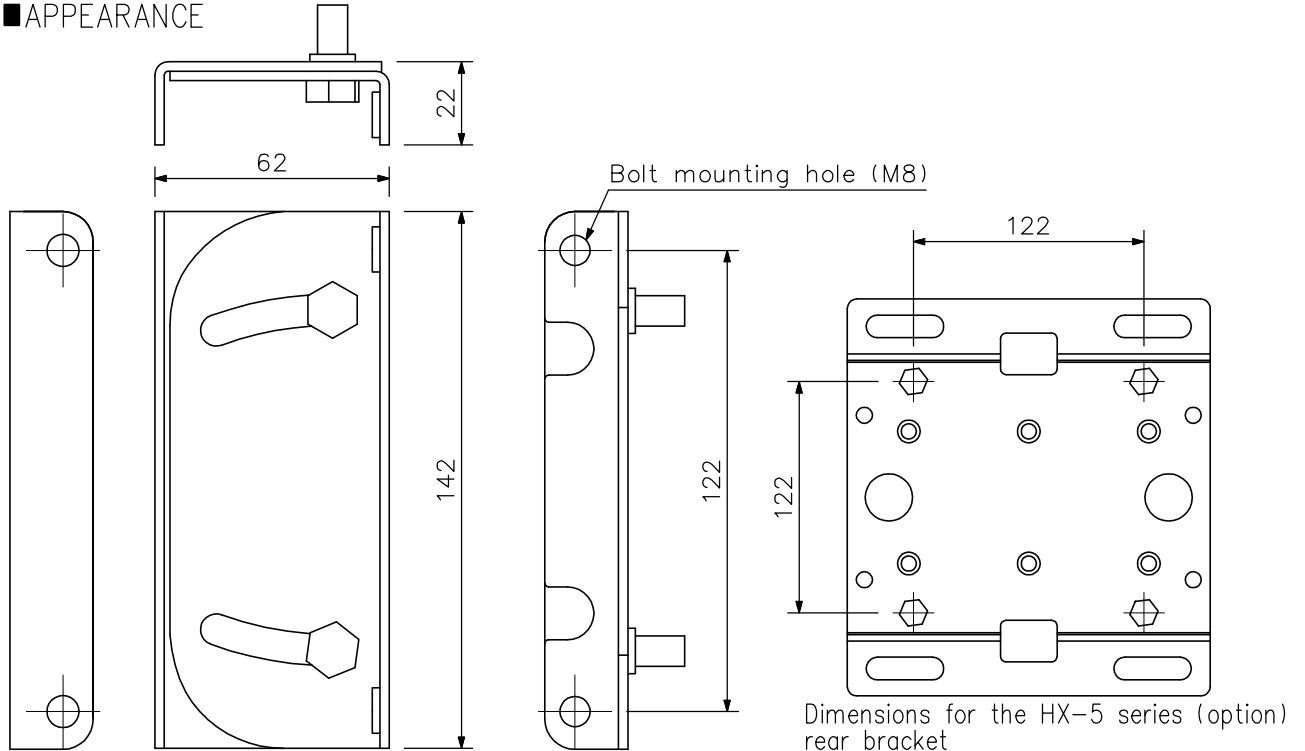
### DESCRIPTION

The HY-WM1B is used exclusively to mount the HX-5 series speaker system to a wall or ceiling. This bracket permits the speaker to be tilted downward up to 20° from the horizontal when the speaker is mounted on a wall, or tilted up to 20° from the vertical when the speaker is mounted on a ceiling. This bracket is designed for indoor use.

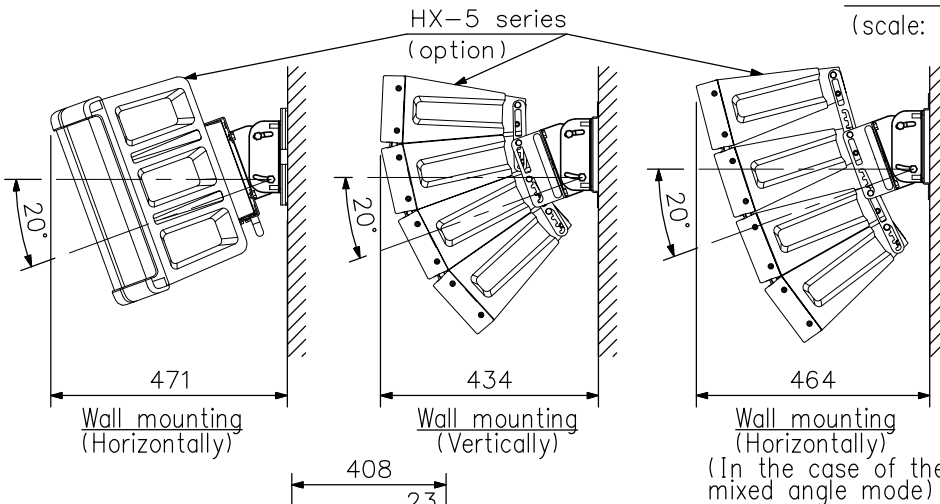
### SPECIFICATIONS

Finish	Steel plate, black, semi-gloss paint
Dimensions	62 (W) × 142 (H) × 22 (D) mm
Weight	750 g
Accessory	Speaker mounting bolt (M8) with washer ...4
Product Composition	Speaker mounting bracket ...2

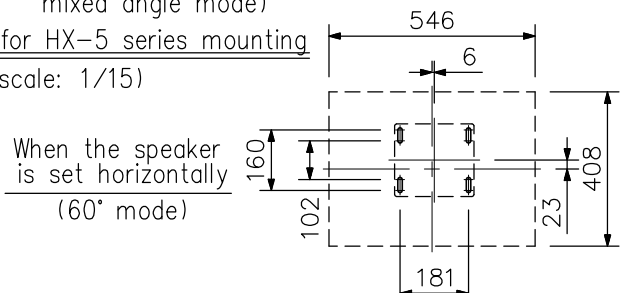
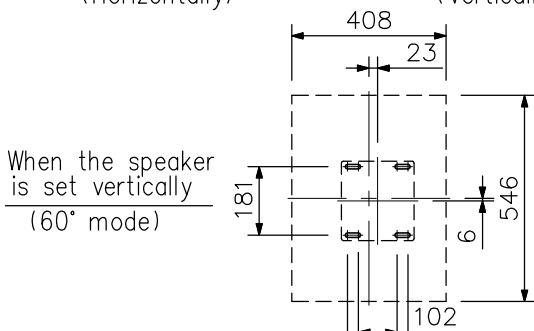
### APPEARANCE



Dimensions for the HX-5 series (option) rear bracket (scale: 1/4)



Example for HX-5 series mounting (scale: 1/15)



Dimensions for direct wall mounting (scale: 1/20)

UNIT:mm SCALE:1/2