

TOA INSTALLATION MANUAL

SPEAKER MOUNTING BRACKETS

- HY-CW1B
- HY-CW1W
- HY-CW1WP

TOA's HY-CW1B, HY-CW1W and HY-CW1WP are designed to be used exclusively to mount the HX-5 series speaker system to a ceiling.

Both the HY-CW1B and the HY-CW1W are designed for indoor use, while the HY-CW1WP is designed for outdoor use.

The speaker can be rotated 360° horizontally. It can also be tilted vertically up to 82.5° when suspended horizontally, and depending on the speaker directivity mode, up to 67.5° (for 60° mode) or 75° (for 15°, 30° or 45° mode) when suspended vertically.

1. SAFETY PRECAUTIONS

- Before installation or use, be sure to carefully read all the instructions in this section for correct and safe operation.
- Be sure to follow all the precautionary instructions in this section, which contain important warnings and/or cautions regarding safety.
- After reading, keep this manual handy for future reference.

WARNING

Indicates a potentially hazardous situation which, if mishandled, could result in death or serious personal injury.

- Install the unit only in a location that can structurally support the weight of the unit and the speaker. Doing otherwise may result in the speaker falling down and causing personal injury and/or property damage.
- (HY-CW1B and HY-CW1W only)
Since the unit is designed for indoor use, do not install it outdoors. If installed outdoors, the aging of parts causes the unit to fall off, resulting in personal injury.
- Owing to the speaker's size and weight, be sure that at least two persons are available to install the speaker. Failure to do so could result in personal injury.
- Do not use other methods than specified to mount the bracket. Extreme force is applied to the unit and the speaker could fall off, possibly resulting in personal injuries.
- Use nuts and bolts that are appropriate for the ceiling structure and composition. Failure to do so may cause the speaker to fall, resulting in material damage and possible personal injury.
- Tighten each nut and bolt securely. Ensure that the bracket has no loose joints after installation to prevent accidents that could result in personal injury.
- Use the specified speaker in combination. Doing otherwise may cause the speaker to fall off, resulting in personal injury.
- Do not mount the unit in locations exposed to constant vibration. The mounting bracket can be damaged by excessive vibration, potentially causing the speaker to fall, which could result in personal injury.
- Avoid installing the speaker in locations close to the seashore or in indoor swimming facilities that are not well ventilated. In such locations the bracket may be vulnerable to corrosion, eventually allowing the speaker to fall resulting in personal injury.

CAUTION

Indicates a potentially hazardous situation which, if mishandled, could result in moderate or minor personal injury, and/or property damage.

- Avoid touching the unit's sharp metal edge to prevent injury.
- Do not hang down from the unit as this may cause it to fall down or drop, resulting in personal injury and/or property damage.
- Have the unit checked periodically by the shop from where it was purchased. Failure to do so may result in corrosion or damage to the unit that could cause the unit to fall, possibly causing personal injury.

2. PRECAUTIONS WHEN INSTALLING THE HY-CW1WP

Only the HY-CW1WP can be installed outdoors.

- Only the HX-5B-WP and HX-5W-WP speakers can be installed outdoors.
- Install the speaker so that all speaker modules face downward from the horizontal axis. Doing otherwise could adversely affect the speaker's weather resistance and possibly lead to malfunction or failure.

3. INSTALLATION

Step 1. Mount the ceiling bracket to a ceiling.

Note

Anchor bolts, nuts, and washers required for mounting are not supplied with the bracket.

Step 2. Turn nut A fully to the root of the speaker bracket bolt.

Step 3. Remove the vertical angle adjustment bolts (one each for left and right) and loosen the axis bolt and axis nut.

WARNING

Only loosen the axis bolt and axis nut; do not remove them as doing so may cause the speaker to fall, resulting in personal injury.

Step 4. Use the hex head bolts to attach the speaker bracket to the HX-5 series' rear plate.

Step 5. Lift the speaker and insert the speaker bracket bolt through the slot in the ceiling bracket.

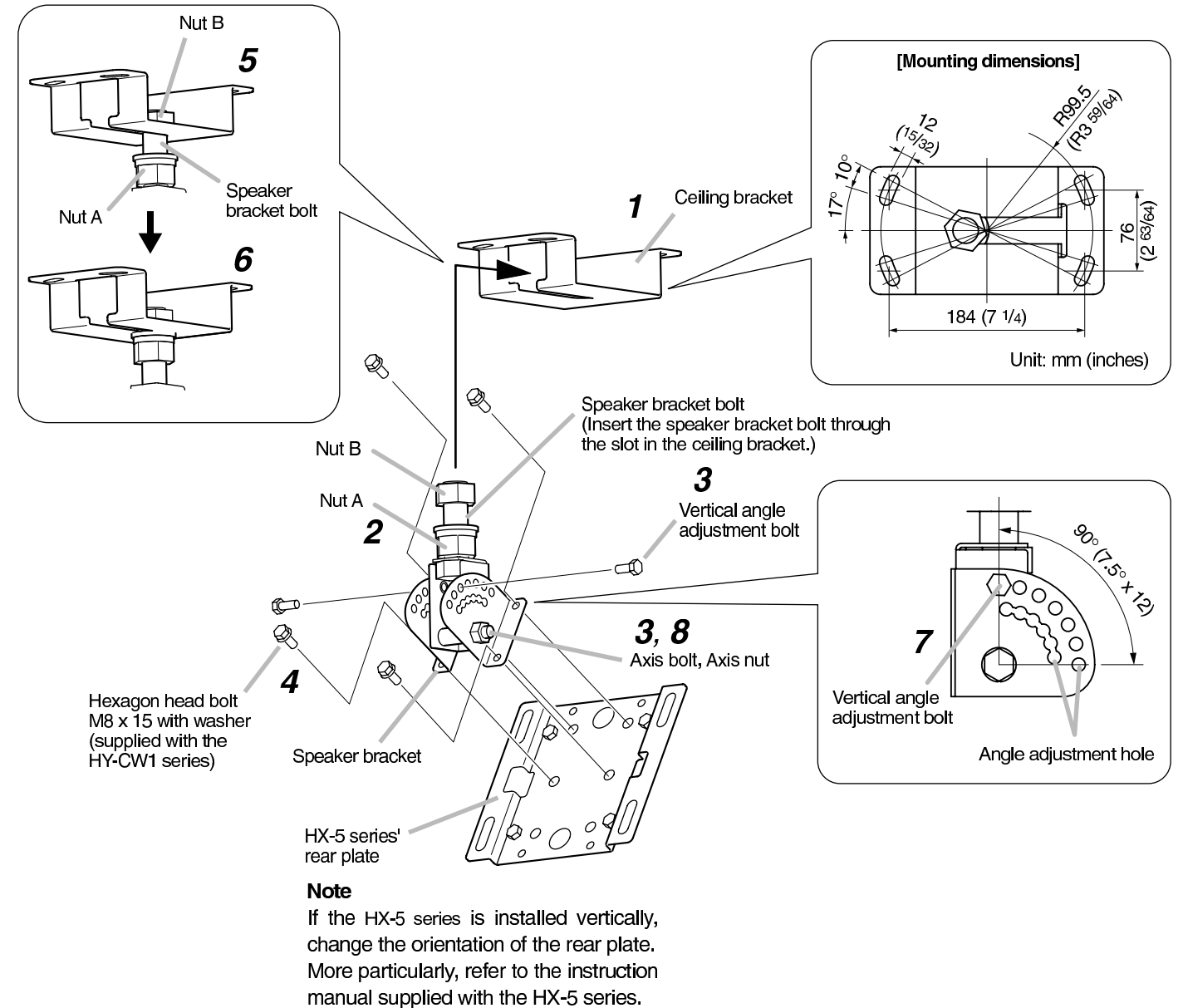
Step 6. Fix the HX-5 series in the desired horizontal orientation and tighten nuts A and B.

WARNING

Tighten nut B so that the bolt head projects at least 3 mm (1/8") from the nut. Doing otherwise could allow the speaker to fall, resulting in personal injury.

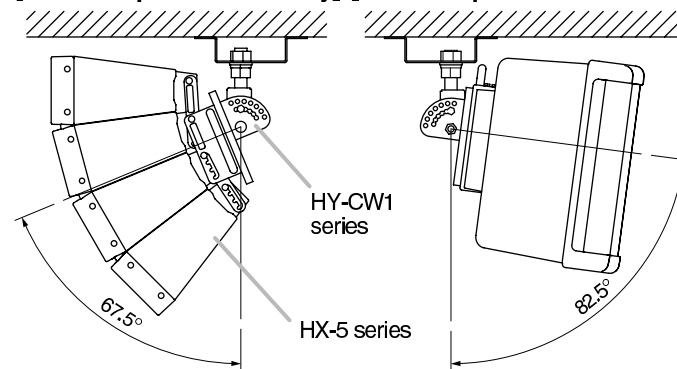
Step 7. With the HX-5 series' vertical orientation set to the desired position, fix the vertical angle adjustment bolts (one each for left and right) to the speaker bracket.

Step 8. Retighten the axis bolt and axis nut.



5. FINISHED ASSEMBLY DIAGRAM

[When suspended vertically] [When suspended horizontally]



6. SPECIFICATIONS

Model No.	HY-CW1B	HY-CW1W	HY-CW1WP
Finish	Steel plate, black, semi-gloss, paint	Steel plate, white, semi-gloss, paint	Stainless steel (SUS304)
Dimensions	120 (w) x 200 (h) x 220 (d) mm 4 23/32 (w) x 7 7/8 (h) x 8 21/32 (d) inches		
Weight	2 kg		

Note: The design and specifications are subject to change without notice for improvement.

- **Accessories**
Hexagon head bolt M8 x 15 (with washer) 4