

CEILING MOUNT BRACKETS

HY-CM10B
HY-CM10W
HY-CM20B
HY-CM20W

1. SAFETY PRECAUTIONS

- Before installation or use, be sure to carefully read all the instructions in this section for correct and safe operation.
- Be sure to follow all the precautionary instructions in this section, which contain important warnings and/or cautions regarding safety.
- After reading, keep this manual handy for future reference.

⚠ WARNING

Indicates a potentially hazardous situation which, if mishandled, could result in death or serious personal injury.

- Install the unit only in a location that can structurally support the weight of the unit and the speaker. Doing otherwise may result in the speaker falling down and causing personal injury and/or property damage.
- Since the unit is designed for indoor use, do not install it outdoors. If installed outdoors, the aging of parts causes the speaker to fall off, resulting in personal injury.
- Do not use other methods than specified to mount the unit. Extreme force is applied to the unit and the speaker could fall off, possibly resulting in personal injuries.
- Use nuts and bolts that are appropriate for the ceiling's structure and composition. Failure to do so may cause the speaker to fall, resulting in material damage and possible personal injury.
- Tighten each nut and bolt securely. Ensure that the unit has no loose joints after installation to prevent accidents that could result in personal injury.
- Use the specified speaker in combination. Doing otherwise may cause the speaker to fall off, resulting in personal injury.
- Do not mount the unit in locations exposed to constant vibration. The unit can be damaged by excessive vibration, potentially causing the speaker to fall, which could result in personal injury.
- Do not use anti-rust lubricant. If it contacts resin or rubber parts, they could deteriorate and cause the unit to fall, possibly resulting in personal injury.

⚠ CAUTION

Indicates a potentially hazardous situation which, if mishandled, could result in moderate or minor personal injury, and/or property damage.

- Avoid touching the unit's sharp metal edge to prevent injury.
- Do not hang down from the unit as this may cause it to fall down or drop, resulting in personal injury and/or property damage.
- Have the unit checked periodically by the shop from where it was purchased. Failure to do so may result in corrosion or damage to the unit that could cause the unit to fall, possibly causing personal injury.

2. GENERAL DESCRIPTION

The HY-CM10B and HY-CM10W Ceiling Mount Brackets are used to mount F-1000 Series speakers to a ceiling in a horizontal configuration.

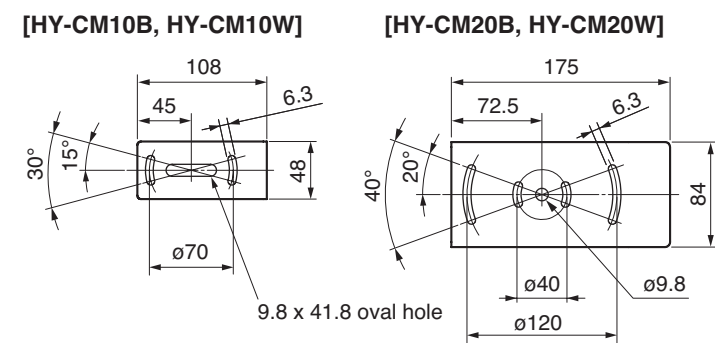
The HY-CM20B and HY-CM20W Ceiling Mount Brackets are used to mount F-2000 Series speakers in a horizontal configuration.

Note

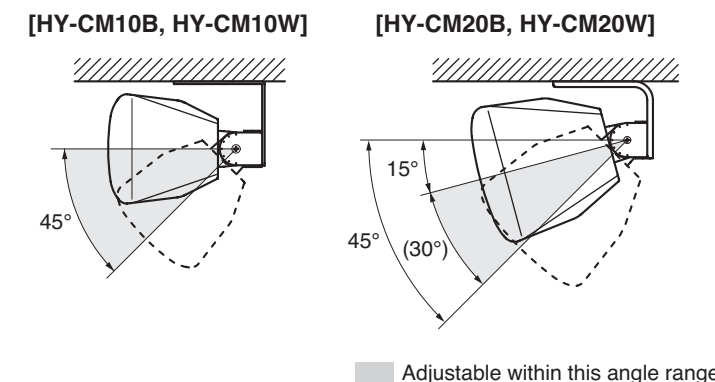
To mount the speaker to the ceiling in a vertical orientation, use the brackets supplied with the speaker. For more information, refer to the instruction manual enclosed with the speaker.

3. MOUNTING DIMENSIONS

Unit: mm



4. FINISHED ASSEMBLING DIAGRAM



5. SPECIFICATIONS

5.1. HY-CM10B and HY-CM10W

Models No.	HY-CM10B	HY-CM10W
Applicable Speaker	F-1000B, F-1000BT	F-1000W, F-1000WT
Finish	Steel plate, black, paint	Steel plate, white, paint
Dimensions	48 (w) x 100 (h) x 108 (d) mm	
Weight	210 g	
Accessories	Machine screw M5 x 10 with washers 2	

5.2. HY-CM20B and HY-CM20W

Models No.	HY-CM20B	HY-CM20W
Applicable Speaker	F-2000B, F-2000BT	F-2000W, F-2000WT
Finish	Steel plate, black, paint	Steel plate, white, paint
Dimensions	84 (w) x 135 (h) x 175 (d) mm	
Weight	610 g	
Accessories	Machine screw M5 x 10 with washers 4	

Note

The design and specifications are subject to change without notice for improvement.

6. INSTALLATION

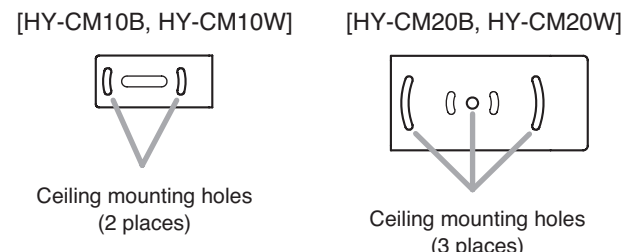
Tip: The wall bracket supplied with each speaker is not used.

Step 1. Attach the speaker bracket to the rear of the speaker cabinet. Use the screws supplied with the speaker. (HY-CM10B/W: 2 pieces; HY-CM20B/W: 4 pieces)

Note: Mount the bracket so that the speaker is suspended in a horizontal orientation.

Step 2. Attach a joint bracket to the ceiling mount bracket using the supplied 4 screws.

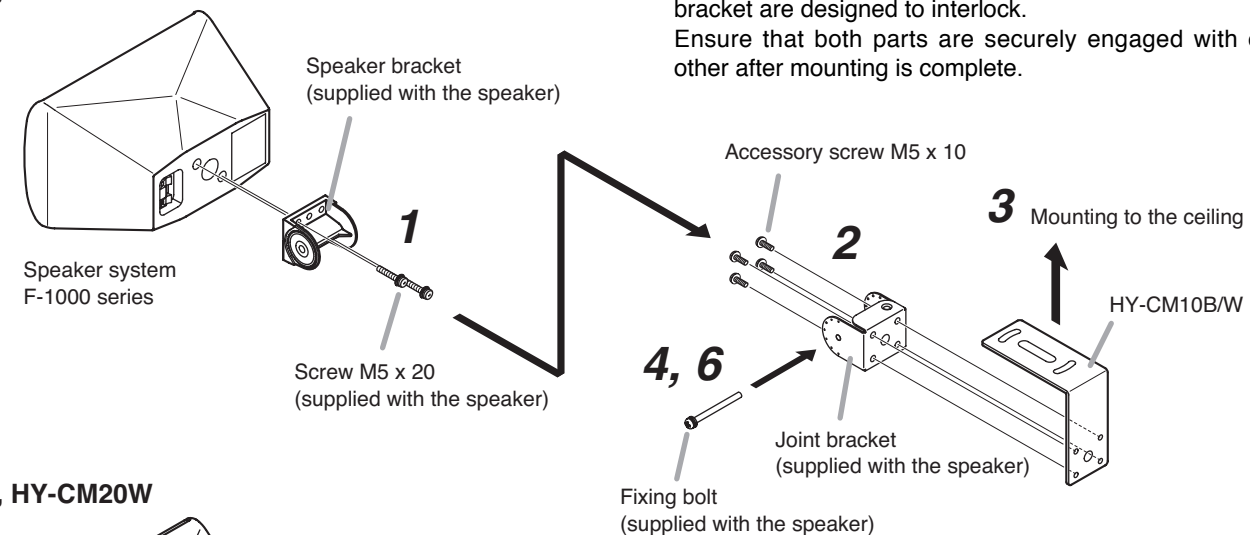
Step 3. Attach the ceiling mount bracket to the ceiling using the ceiling mounting holes.



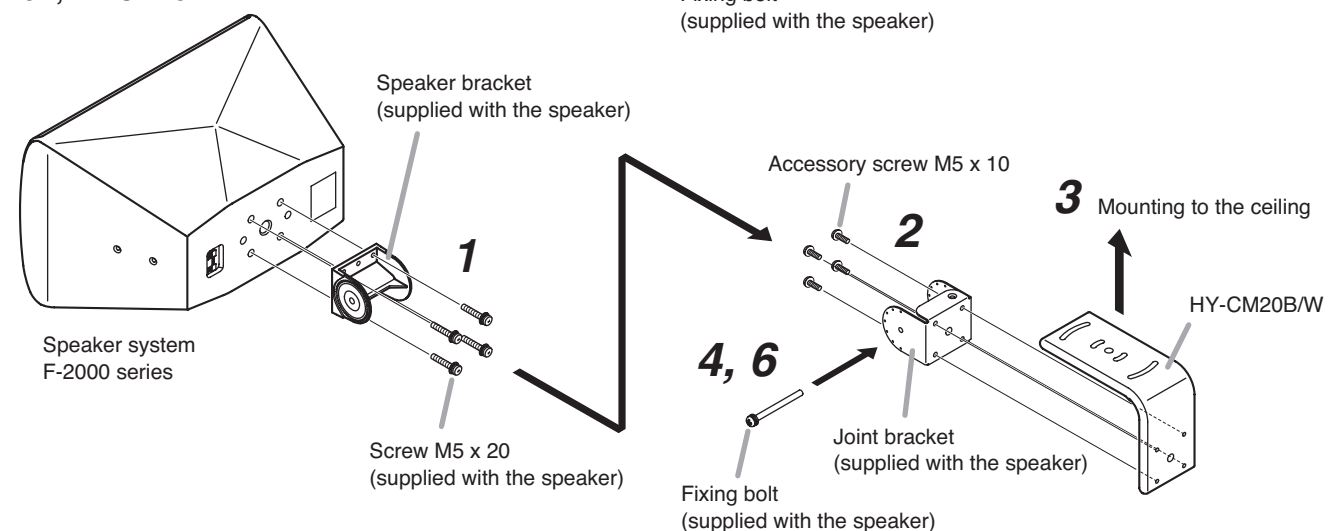
Note

Hardware used for mounting the ceiling mount bracket to the ceiling is not supplied.

• HY-CM10B, HY-CM10W



• HY-CM20B, HY-CM20W

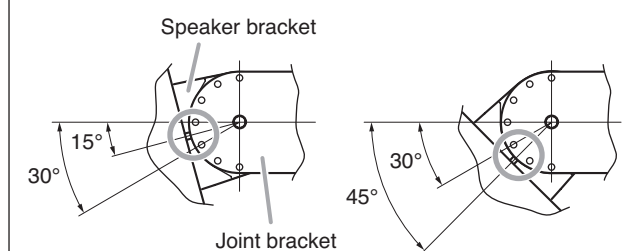


Step 4. Mount the speaker to the joint bracket. Insert the speaker bracket into the joint bracket and loosely secure the fixing bolt for temporary speaker installation.

Step 5. Connect the speaker cable to the speaker input terminal. For connections, refer to the instruction manual enclosed with the speaker.

Step 6. Adjust the speaker's vertical mounting angle and tighten the fixing bolt. Speaker angle is adjustable in 7.5° steps. Adjust the HY-CM10B/W within the downward range of 0° (horizontal) to 45°, and the HY-CM20B/W within the downward range of 15° to 45°.

Refer to the figures below for the positional relationship between the speaker bracket's "groove" and the joint bracket's "indentation."



Note

The mating surfaces of the speaker bracket and joint bracket are designed to interlock. Ensure that both parts are securely engaged with each other after mounting is complete.