

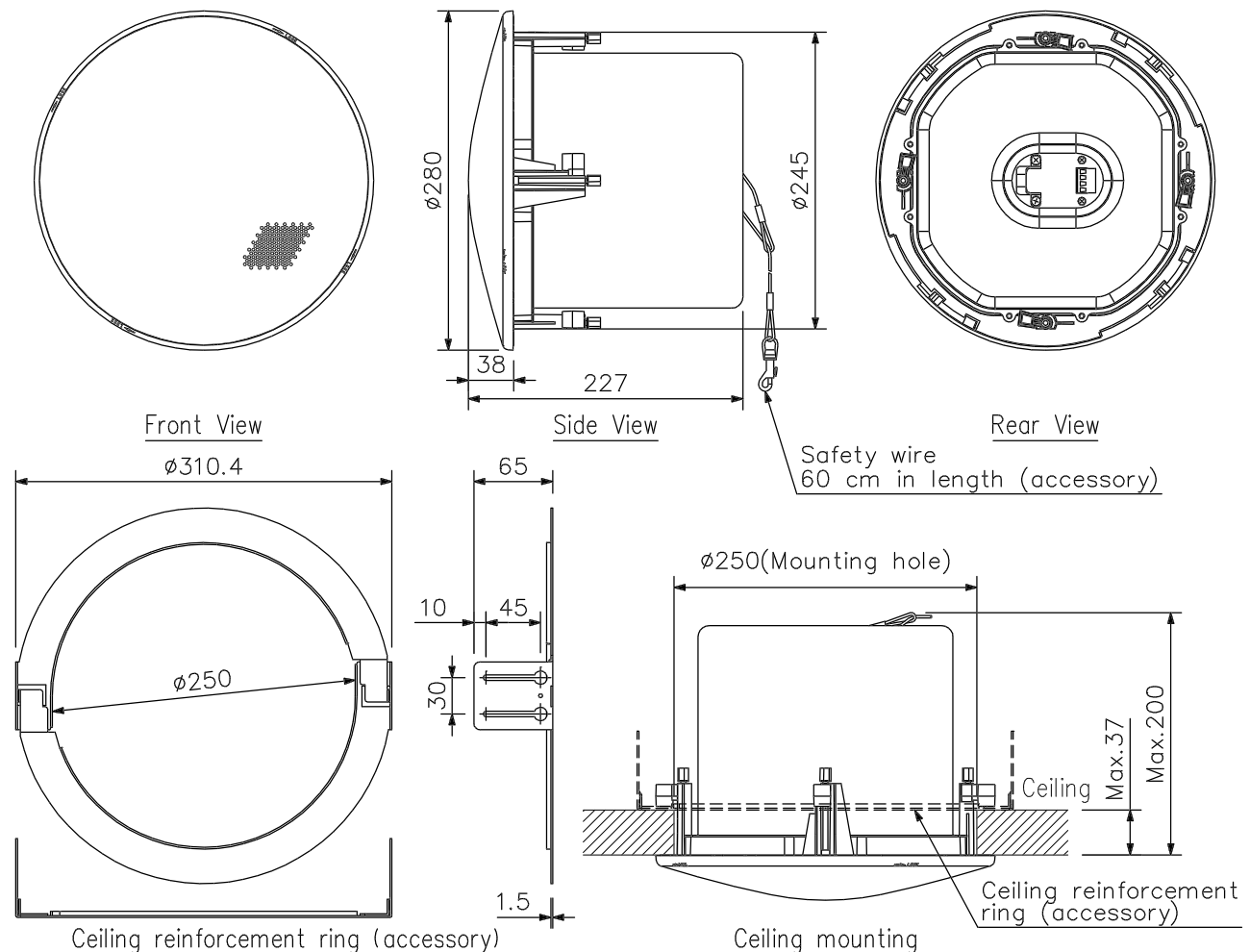
DESCRIPTION

The F-2852C ceiling and wall-mounted speaker covers a wide area and can be used for 25, 70 and 100 V line applications. Well-balanced sound can be heard uniformly at any location.

SPECIFICATIONS

Enclosure	Bass reflex type
Rated Input	60 W (High Impedance)
Power Handling Capacity	Continuous pink noise: 90 W (8 Ω), 60 W (16 Ω) Continuous program: 180 W (8 Ω), 120 W (16 Ω)
Impedance	100 V line: 170 Ω (60 W), 330 Ω (30 W), 670 Ω (15 W), 3.3 kΩ (3 W) 70 V line: 83 Ω (60 W), 170 Ω (30 W), 330 Ω (15 W), 670 Ω (7.5 W), 3.3 kΩ (1.5 W) 25 V line: 83 Ω (7.5 W), 170 Ω (3.7 W), 330 Ω (1.9 W), 670 Ω (0.9 W), 3.3 kΩ (0.2 W) 16 Ω, 8 Ω
Sound Pressure Level	91 dB (1 W, 1 m)
Frequency Response	60 - 20,000 Hz (-10 dB), 45 - 20,000 Hz (-20 dB) at installation in 1/2 free sound field (Measured by installing the unit in the center of a ceiling.)
Speaker Component	High frequency: Dome-type, Low frequency: 16 cm cone-type
Mounting Hole	∅250 mm (Maximum ceiling thickness: 37 mm)
Input Terminal	Removable locking connector with screw-down terminals (2 input terminals and 2 bridge terminals)
Usable Cable	Solid copper wire: ∅0.5 - ∅1.6 mm (equivalent to AWG No. 24 - 14) Stranded copper wire: 0.2 - 2.5 mm ² (equivalent to AWG No. 24 - 14)
Finish	Enclosure: Steel plate, plating Baffle: Fire-resistant ABS resin (resin material grade: UL-94 V-0 or its equivalent), black Rim: Fire-resistant ABS resin (resin material grade: UL-94 V-0 or its equivalent), white, paint Punched net: Steel plate, white, paint
Dimensions	∅280 × 227 (D) mm
Weight	5.1 kg (including mounting accessories)
Accessory	Panel1, Ceiling reinforcement ring1, Safety wire1, Paper pattern ...1
Option	Anchor hanging bracket: HY-AH1, Tile bar bridge: HY-TB1

APPEARANCE



UNIT:mm SCALE:1/6